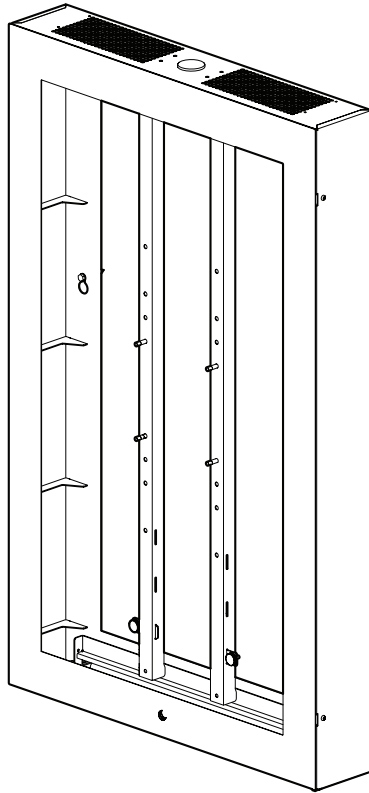


Installation Guide

SPDS1003

**SpacePole Universal indoor enclosure (55")
- Wall mounted**





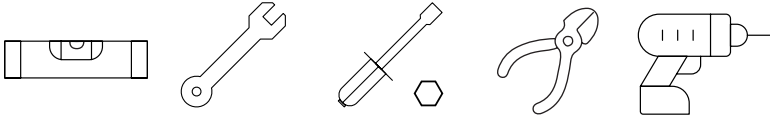
CAUTION

- Please ensure that you read and understand the contents of the installation guide before you begin the installation process.
- This product is designed to be mounted on a wall. Before installation please verify that the supporting surface can bear the combined weight of the solution and hardware.
- This product must be installed by a professional installer. More than one person needs to be involved in the installation of this product.
- It is the responsibility of the installer to use the appropriate fixings for the specific installation location. Standard fixings for wooden material and fixings for concrete material are supplied as part of the product, but they will not be suitable for all types of walls. Please follow the fixing suppliers' recommendations for installation.
- Do not to overtighten the fixings.
- The maximum weight limit for the hardware (screen, accessories etc.) for this solution is 40 kg. Do not exceed the stated weight limit.
- This product is intended for indoor use only.
- This solution is designed for certified hardware and accessories. Always follow the installation guide from the hardware manufacturer for correct installation.
- The solution ventilation holes need to remain clear and open at all times to ensure the correct operations of the screen.
- Please don't power the hardware, until the entire solution is fully assembled.
- If these installation instructions are not followed precisely, it could lead to product failure and potential personal injury.
- Ergonomic Solutions cannot be held responsible for any product failure or personal injury, if the installation instructions are not followed correctly.
- Ergonomic Solutions cannot be held responsible for any product failure or personal injury, if any modifications have been made to the product by the customer.

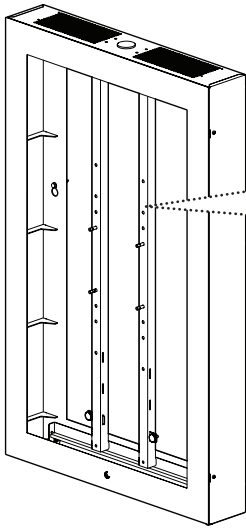
MAINTENANCE

- It is the responsibility of the customer to periodically check the installation and ensure it is clean and all fixings are tightened correctly.

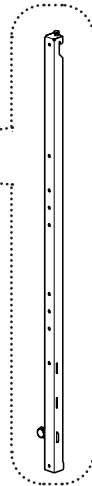
Tool list



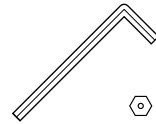
Box content



1x (A)



2x (B)
(Included in part A)



1x (security allen
key 4mm)



6x (M8x60)



8x (M8 washer)



6x (Ø10x50 plug)

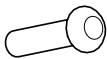


2x (M6x10)



2x (M6x12
Secure screw)

MK10-0076



4x (M8x35)



4x (M8x25)



4x (M8x16)



4x (M6x12)

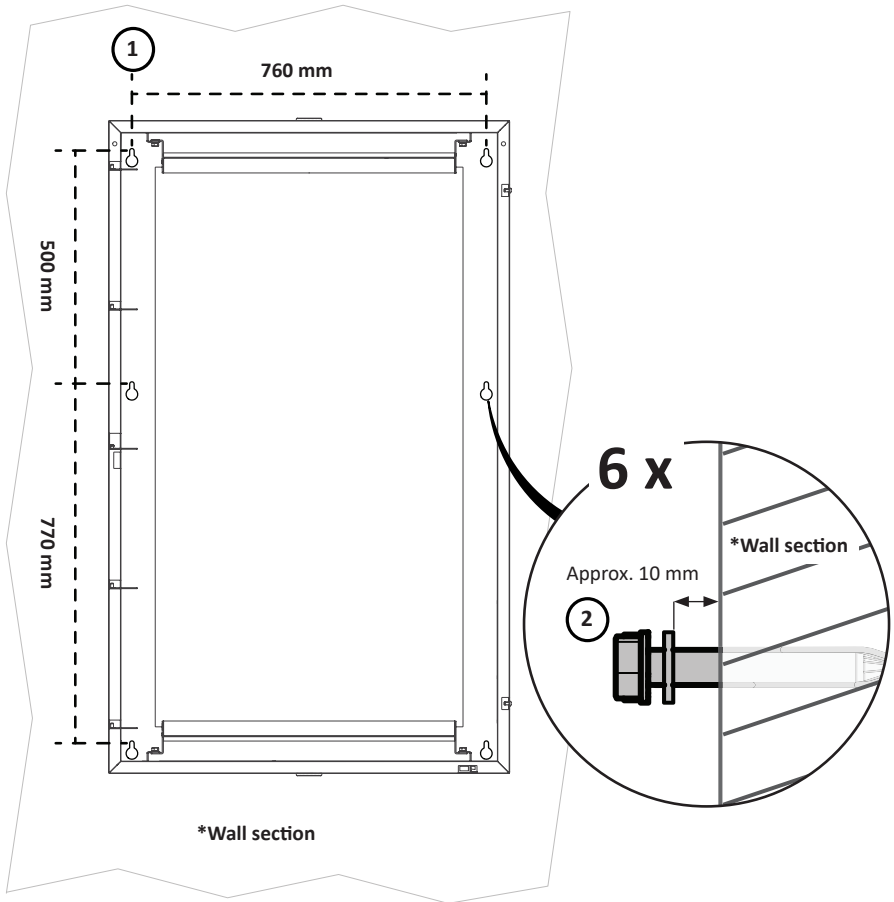


4x (M8
nylon spacer)



4x (M8 washer)

1 Prepare for wall installation

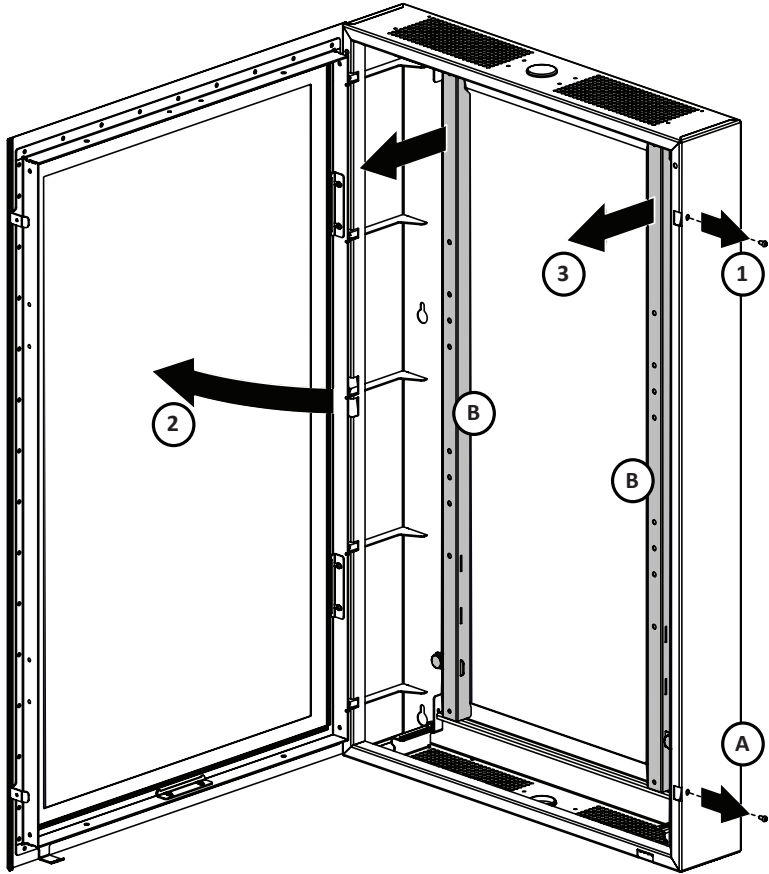


- 1 Mark up the 6x mounting holes. If required, drill holes for the installation of wall plugs.
- 2 Install the 6x screws (i.e. M8x60), including washers (i.e. M8 washer). Leave approximately 10 mm of space between wall and washer.



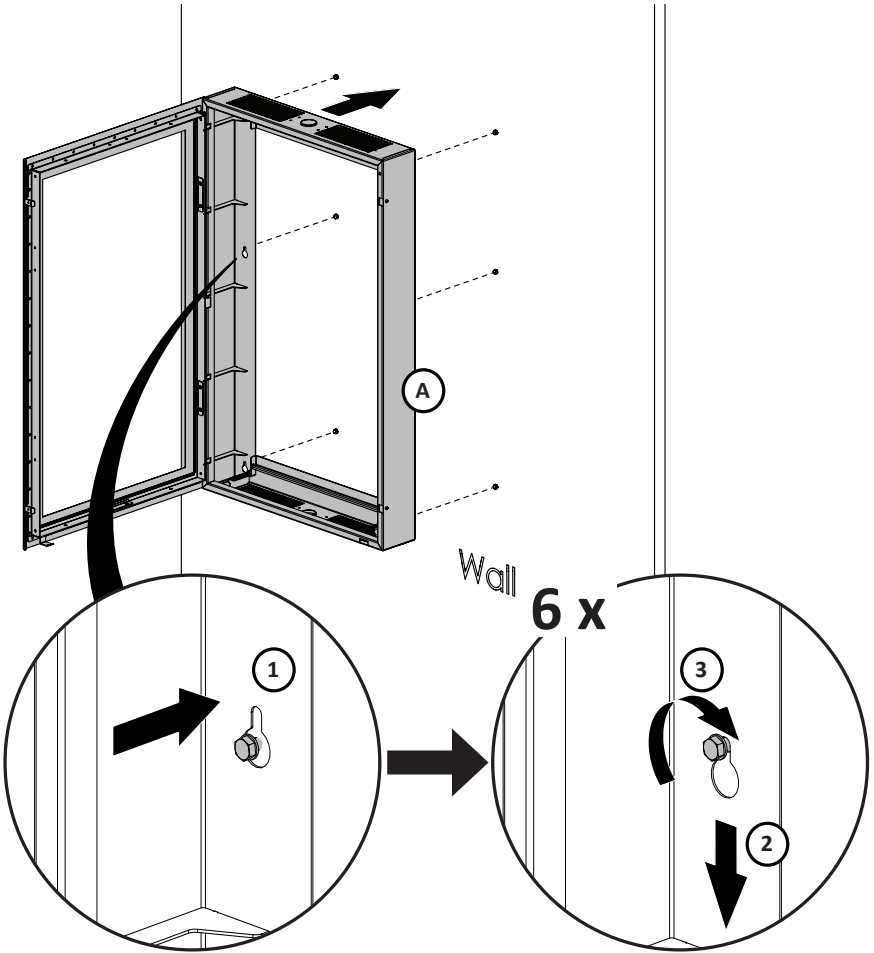
***Verify that the supporting surface can bear the combined weight of the solution & hardware.**

2 Open the enclosure and remove the VESA brackets



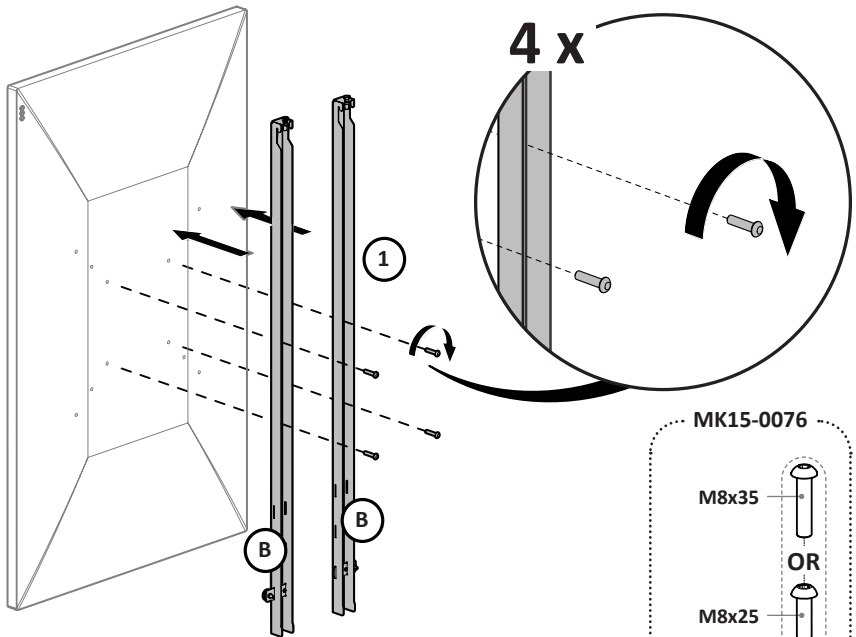
- 1 Remove 2x screws.
- 2 Open enclosure door.
- 3 Remove the two VESA brackets from the enclosure.

3 Install enclosure on wall and tighten screws



- 1** Hook the enclosure onto the 6x M8x60 screws.
- 2** Lower the enclosure.
- 3** Fully tighten the 6x M8x60 screws.

4 Fix brackets on to the back of the screen



MK15-0076

M8x35



OR

M8x25



OR

M8x16



OR

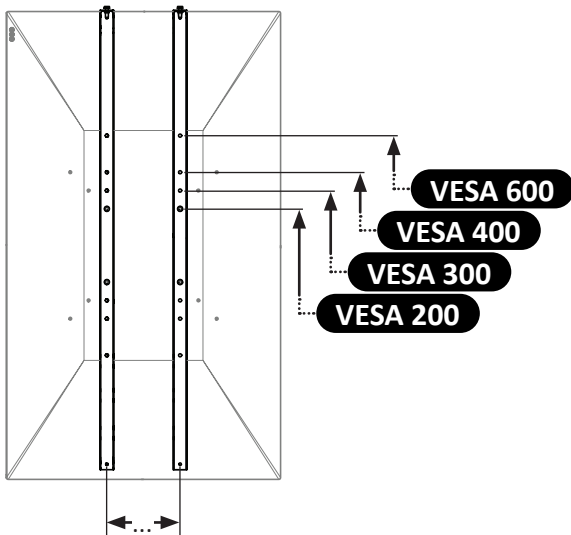
M6x12



M8 spacer



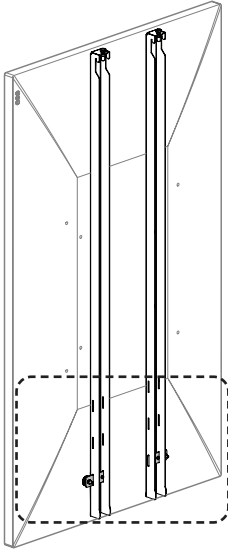
M8 washer



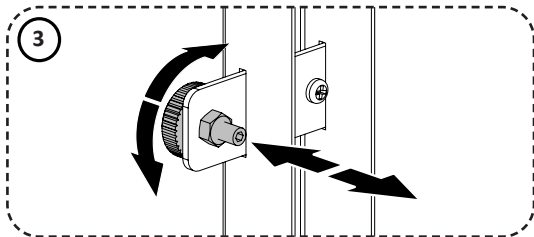
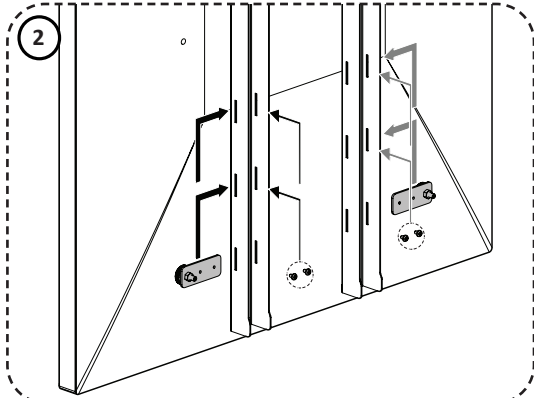
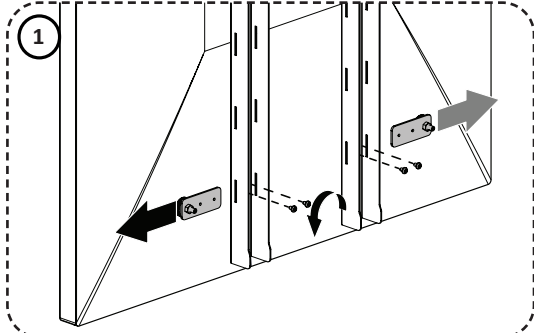
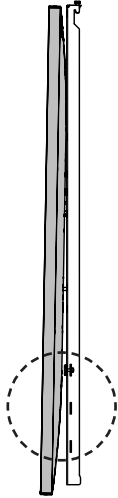
1 Use the appropriate VESA pattern & fixings for the screen.
Fixing bag MK15-0076 is included - suitable for most screens.

5 Optional: Mount support brackets

Support brackets are optional. They are only needed if the bottom of the screen needs additional support to keep the front of the screen straight.

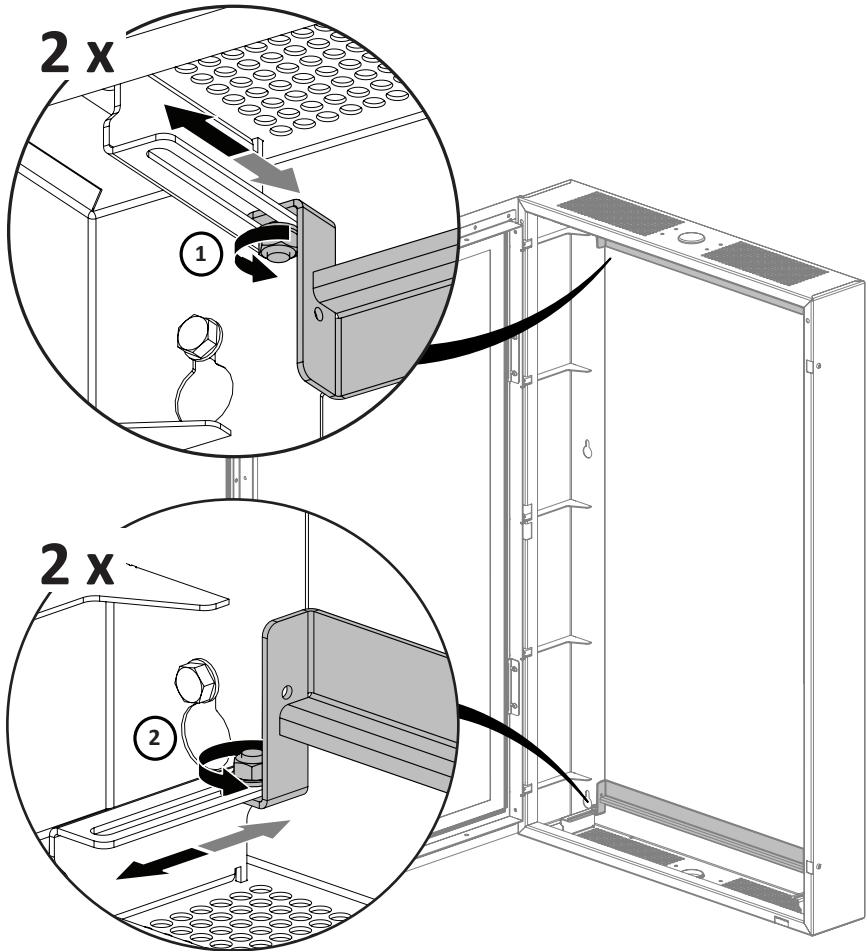


Side view



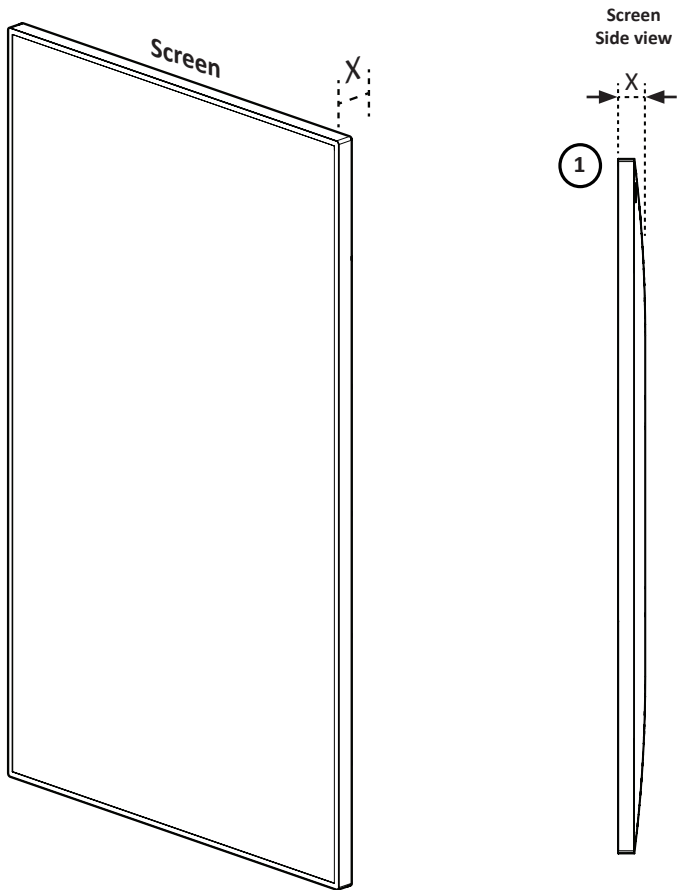
- 1 For repositioning of the support brackets, remove 4x (M4x6mm) screws & pull out the brackets.
- 2 Reposition the support brackets to the most suitable option.
- 3 Install the 4x (M4x6mm) screws & adjust the thumb screw in/out to ensure proper support of the screen.

6 Loosen the nuts for adjustments



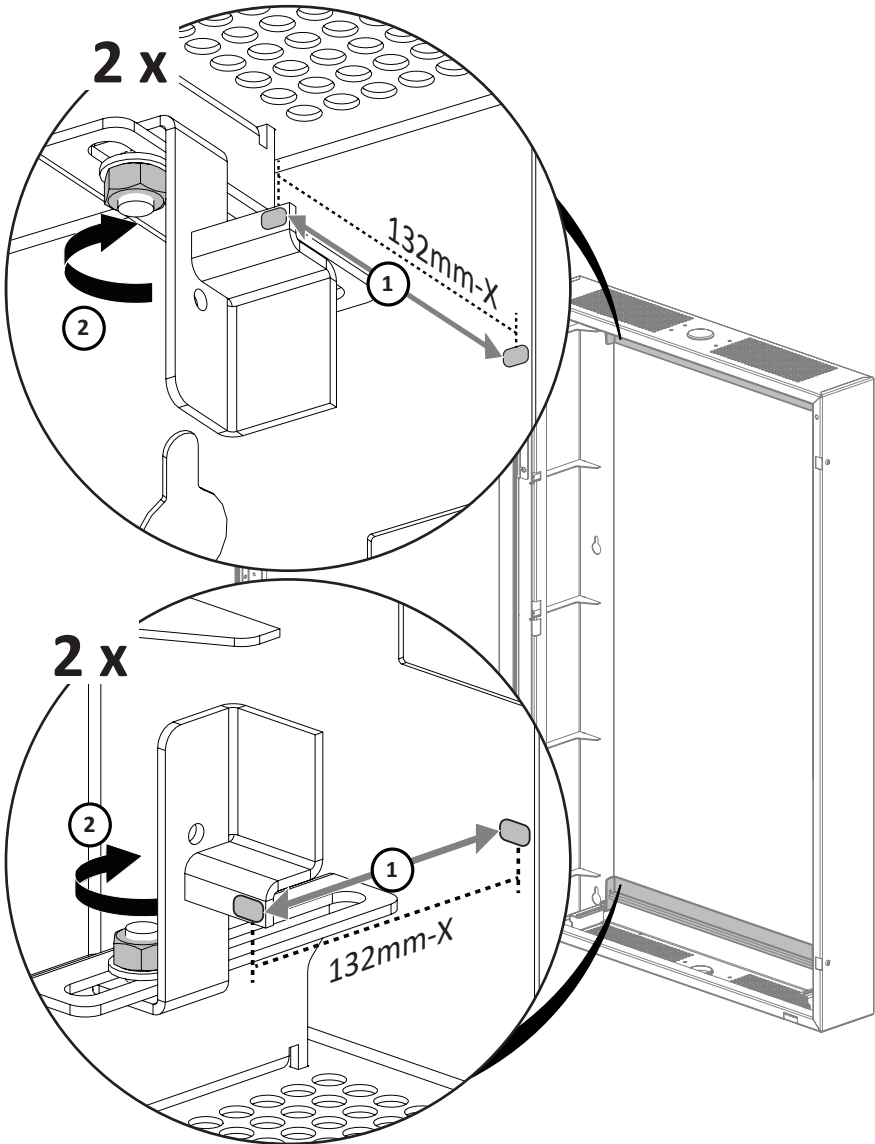
- 1** Loosen the two nuts for the top adjusting bracket, allowing it to move in and out in the rails.
- 2** Loosen the two nuts for the bottom adjusting bracket, allowing it to move in and out in the rails.

7 Measure screen thickness



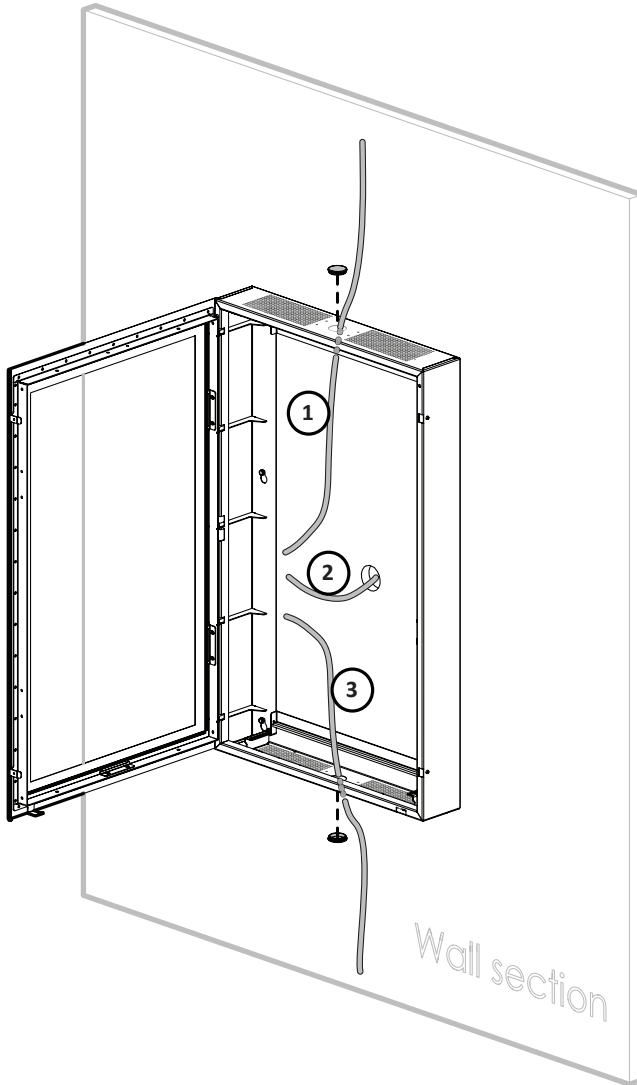
- ① Measure **screen thickness (Xmm)** or get value from the screen technical specification sheet.
- ② Note, total adjustment is **78mm**.
Minimum recommended screen thickness: 28mm.
Maximum recommended screen thickness: 106mm.

8 Adjust top & bottom mounting brackets



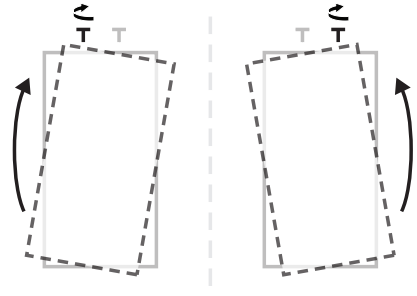
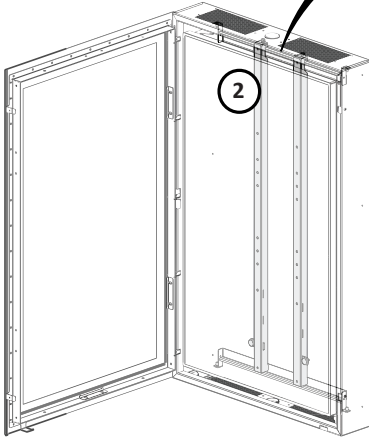
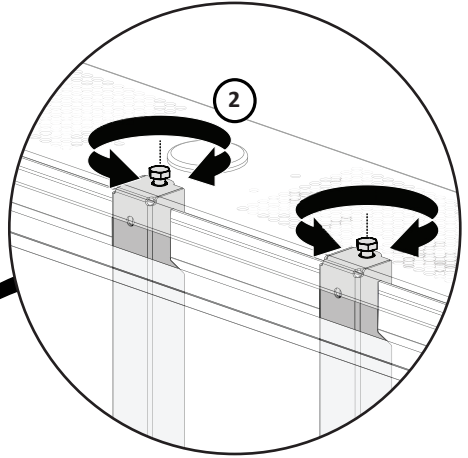
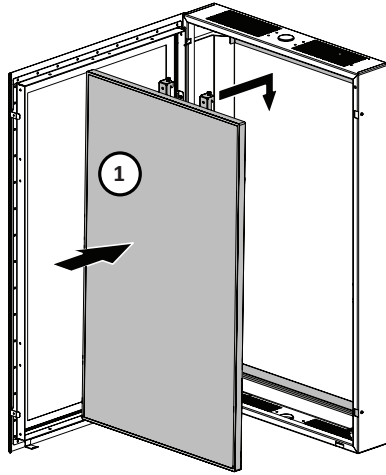
- 1 Measure from the enclosure back wall to front lip of the mounting brackets (**132mm - Xmm**) ± 1 mm. Repeat the measurements for top/down, left/right side of both brackets.
- 2 Fully tighten the 4x nuts.

9 Cable management



- 1** Option with cable management done from enclosure to ceiling.
Remove the top cap & route cable(s).
- 2** Option with cable management done from enclosure through wall.
- 3** Option with cable management done from enclosure to floor
Remove the bottom cap & route cable(s).

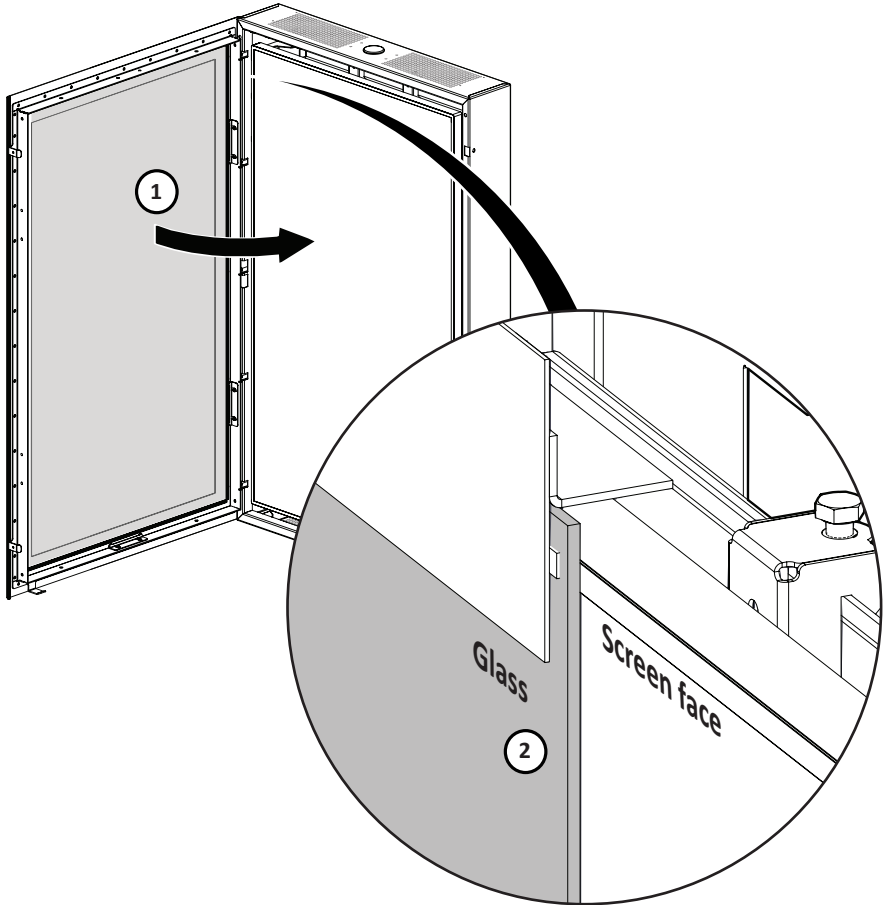
10 Hook screen in to the enclosure



1 Hook the screen onto the VESA mounting brackets.

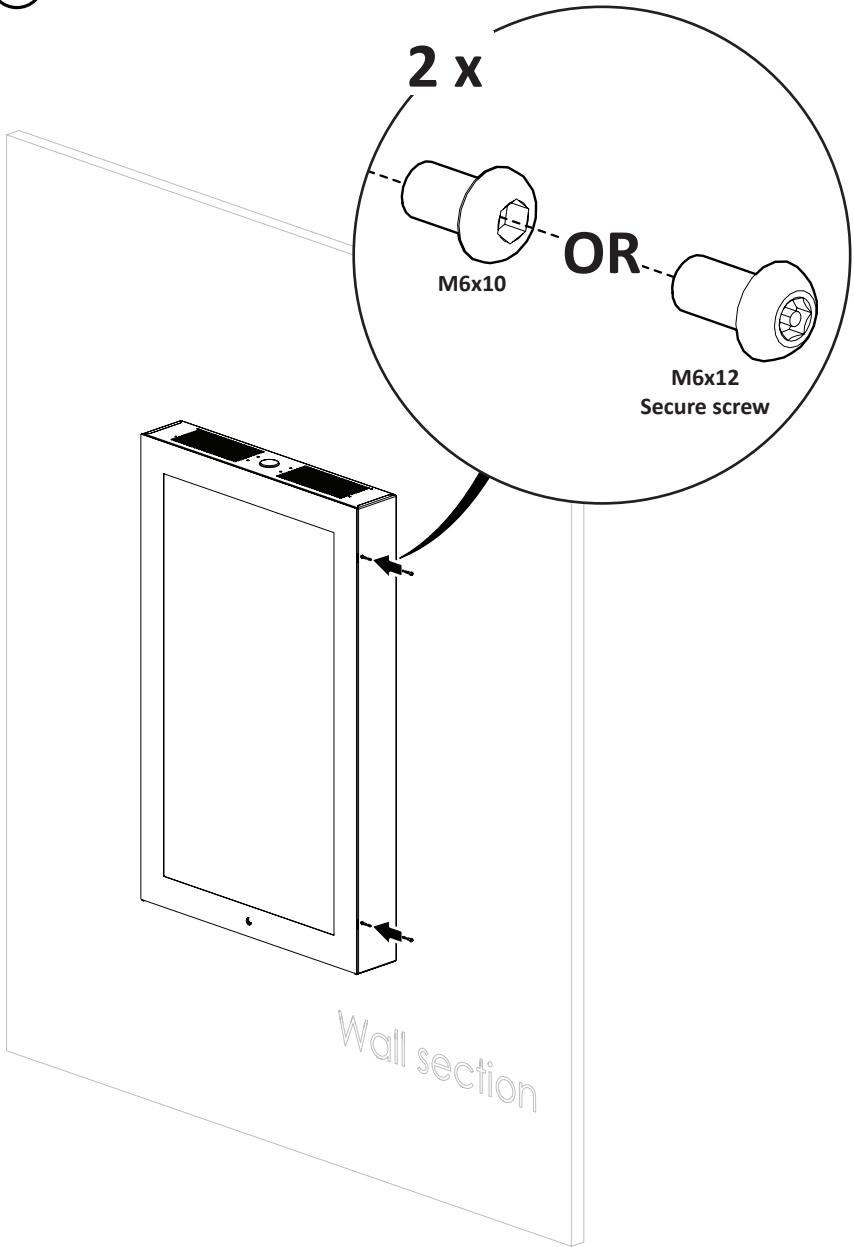
2 Check if screen is aligned with enclosure & adjust accordingly. Turning left screw clockwise will raise the left side of the screen & turning right screw clockwise will raise the right side of the screen.

11 Close enclosure & check screen alignment

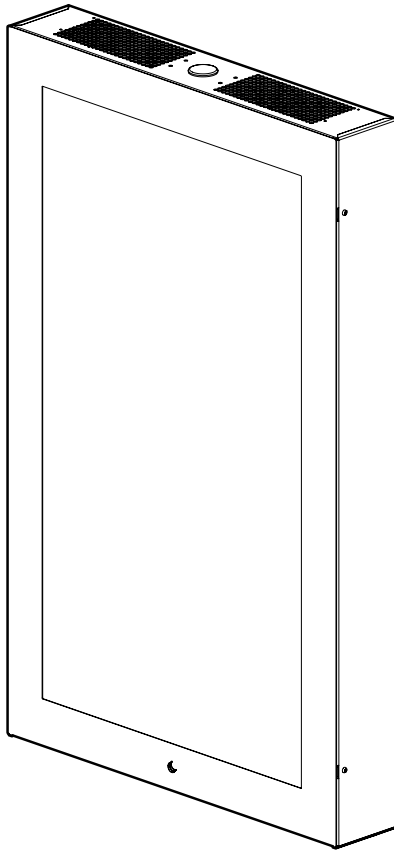


- 1 Carefully close the enclosure door.
- 2 Verify that the screen sits flush up against the glass.
- 3 If necessary go back to step 7, 8 & 10 and adjust accordingly.

12 Secure enclosure



1 Finish installation by installing the two screws.



Need help? Contact us



ergonomic[®]
solutions
creators of SpacePole



spacepole[®]
an ergonomic
solutions company

ergonomic.solutions/about/contact-us

spacepole.com/about/contact-us